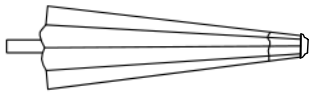
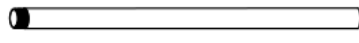


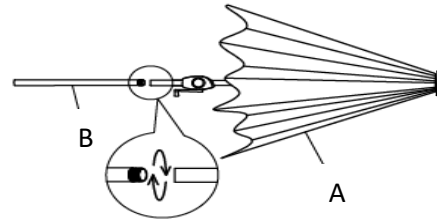
SAVE THESE INSTRUCTIONS

SONOMA CRANK AND TILT UMBRELLA ASSEMBLY INSTRUCTIONS ASSEMBLE ON A FLAT, PROTECTED SURFACE

PART LIST	FIGURE	QUANTITY	DESCRIPTION
A		1 PC	UMBRELLA
B		1 PC	POLE

STEP 1

A. SCREW CLOCKWISE POLE (B) TO UMBRELLA (A).

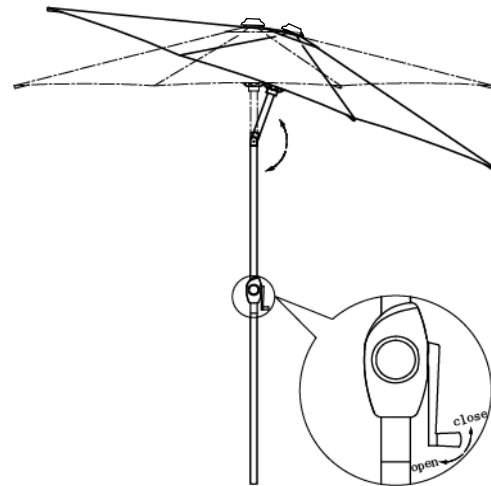


STEP 2

A. SPIN CRANK HANDLE CLOCKWISE TO OPEN UMBRELLA.

B. PRESS BUTTON ON TILT TO ADJUST UMBRELLA ANGLE.

C. SPIN CRANK HANDLE COUNTERCLOCKWISE TO CLOSE UMBRELLA.



CARE AND CLEANING

WIPE CLEAN WITH A SOFT, DAMP CLOTH AS NEEDED.

PRODUCT CANNOT WITHSTAND HIGH WINDS. TO AVOID INJURY OR DAMAGE, DO NOT USE IN HIGH WIND CONDITIONS. LIGHT TO MODERATE WINDS MAY ALSO CAUSE PRODUCT TO SHIFT, USE CAUTION. ALWAYS CLOSE UMBRELLA WHEN NOT IN USE.

WARRANTY

1 YEAR LIMITED WARRANTY. COMMERCIAL USE, ACTS OF NATURE, FIRE, FREEZING, ABUSIVE USE, DISCOLORATION OR FADING OF THE FINISH OR FABRICS AS RESULT OF CHEMICALS OR SPILLS IS NOT COVERED. PROOF OF PURCHASE (DATED RECEIPT) IS REQUIRED FOR WARRANTY CLAIMS. WE RESERVE THE RIGHT TO MAKE SUBSTITUTIONS WITH SIMILAR MERCHANDISE.